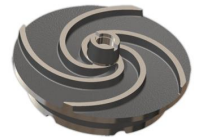
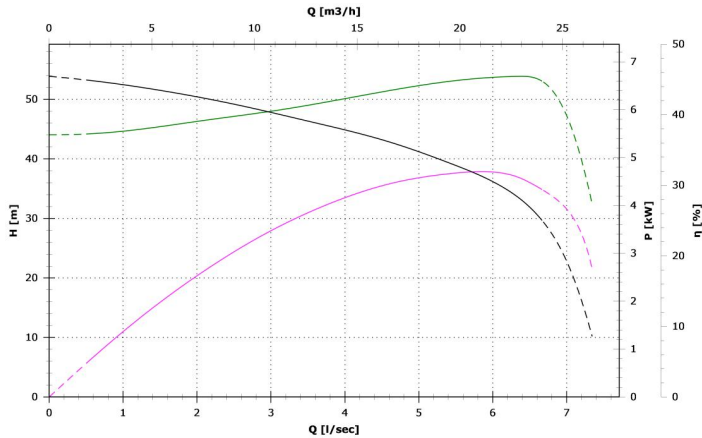


GRP 750/2/G50H A0HT/50



Impeller with grinder system

Rated power output (P2) 7.2 kW

Free passage 0 mm

Technical data

Number of poles	2
Rated power output (P2)	7.2 kW
Input power (P1)	8.8 kW
Nominal absorbed current (In)	14.5 A
rated power factor (cos phi)	0.88
Nominal power frequency (f)	50 Hz
Rated nominal voltage(Vn)	400/700 V
N° phases	3
IPMotor	68

ATEX thermal class	not applicable
insulation class	H

Use limits

Maximum operating temperature	40 °C
Maximum immersion depth	20 m
PH of treated fluid	6 to 14 pH
max starts per hour	20

Test limits

Density of treated fluid	1 Kg/dm ³
Viscosity of treated fluid	1 mm ² /s

Constructive characteristics

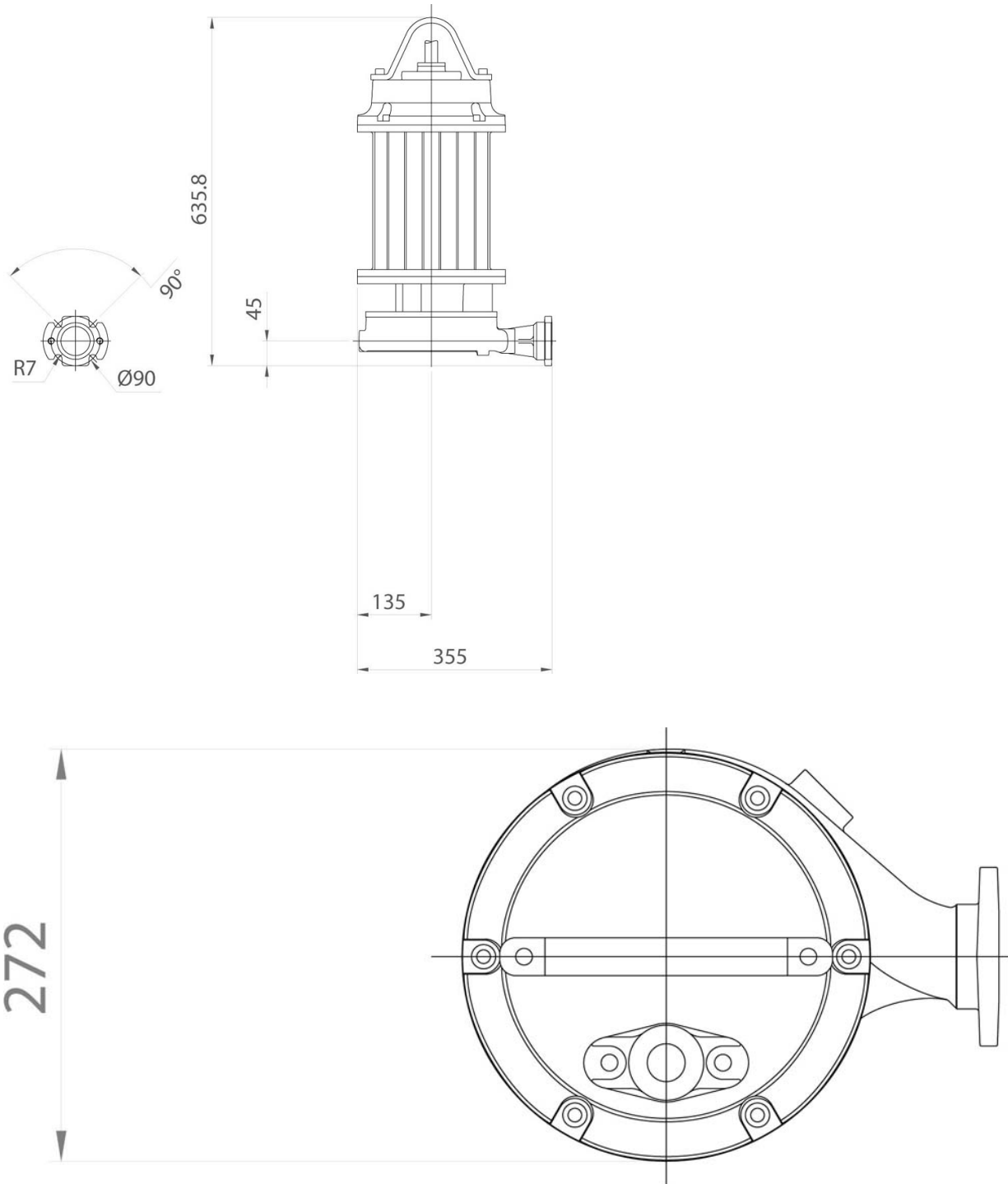
Outlet	G2" DN32 PN6
Outlet orientation	H (horizontal)
Type of starting	Y/D
Weight	91 kg
Standard cable type	07RN-F 7G1.5+3x0.75
EX cable type	N.A.
Standard paint type	Bicomponent epoxy paint
Maximum acoustic pressure	70 dB
Set of standard mechanical seals	Two Silicon carbide mechanical seals (SiC) and One Carbon-Aluminium oxide mechanical seal (AL)

 Probe for water presence

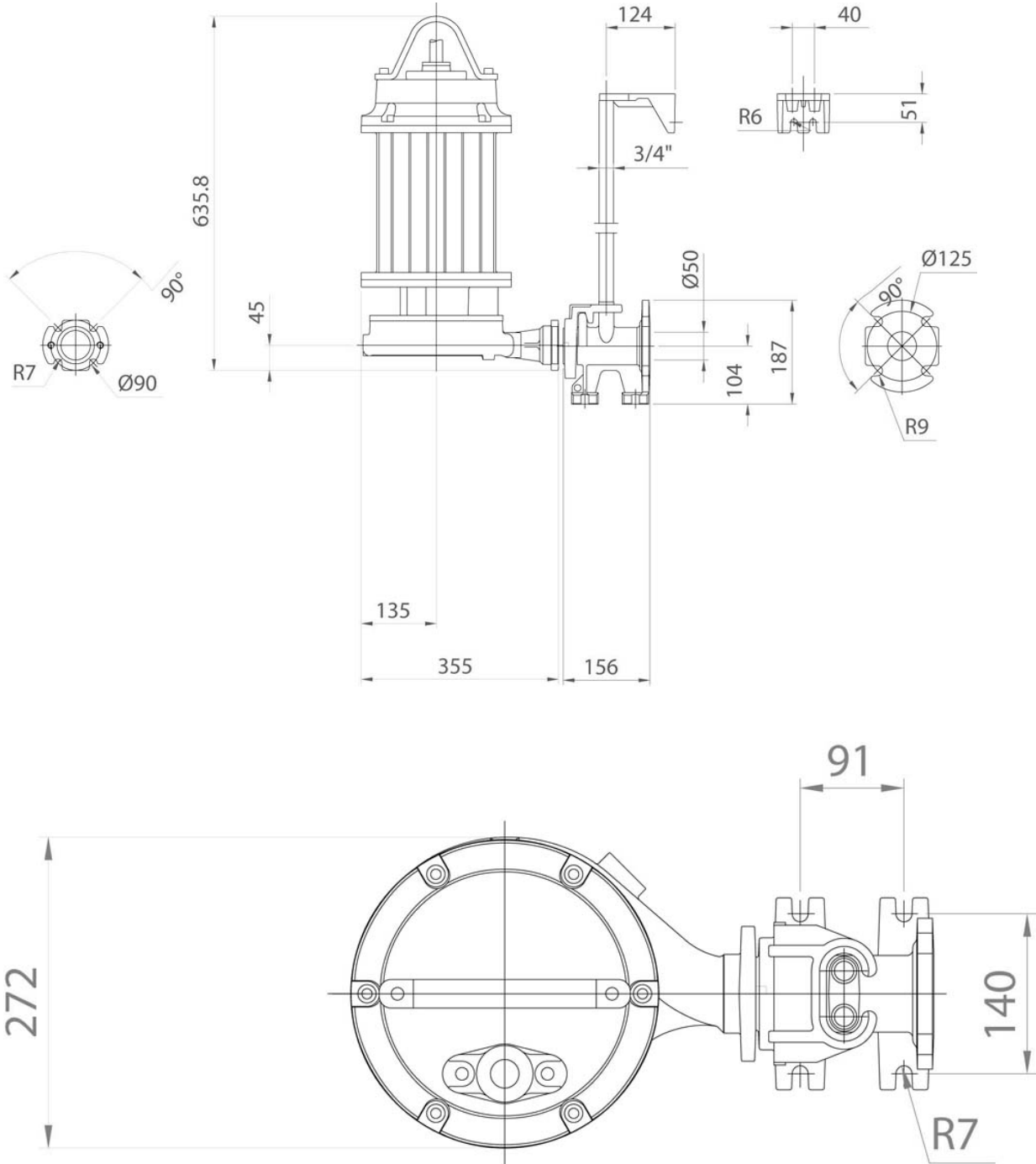
Materials

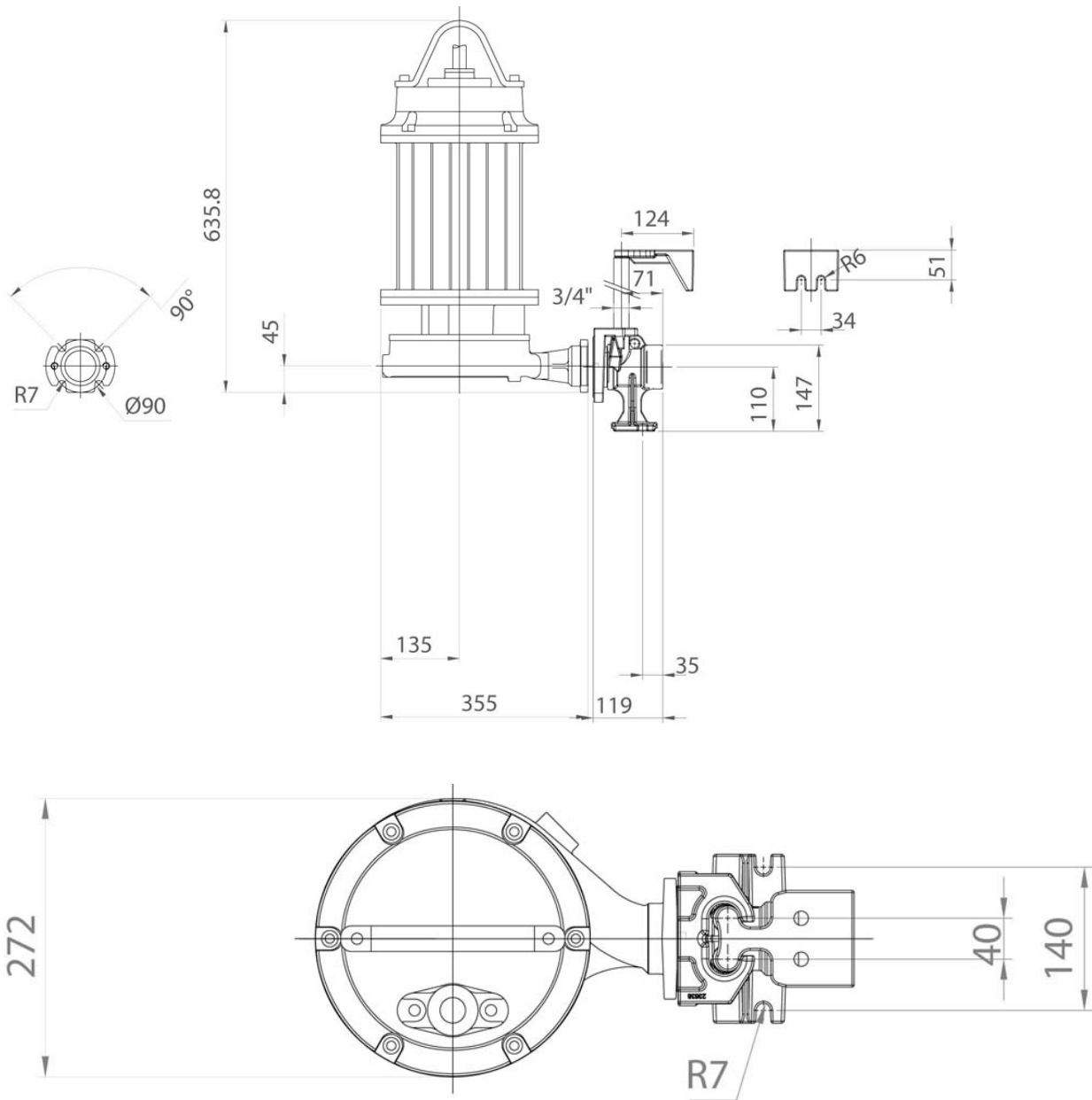
Case	Grey Cast Iron - EN-GJL 250 (02)
Shaft	Stainless Steel - AISI 420 (23)
Cooling jacket	Carbon Steel - Fe360 ÷ Fe370 (55)
Standard gasket	Rubber - NBR (77)
EX gasket	Not applicable (00)
Nuts and bolts	Stainless Steel - Class A2-70 (42)
Hydraulic	Grey Cast Iron - EN-GJL 250 (02)
Impeller	Grey Cast Iron - EN-GJL 250 (02)
Cutting disk	Tool Stainless Steel - X102 CrMo17 KU (16)
Cutter	Tool Stainless Steel - X102 CrMo17 KU (16)
Grid	Not applicable (00)

Pump

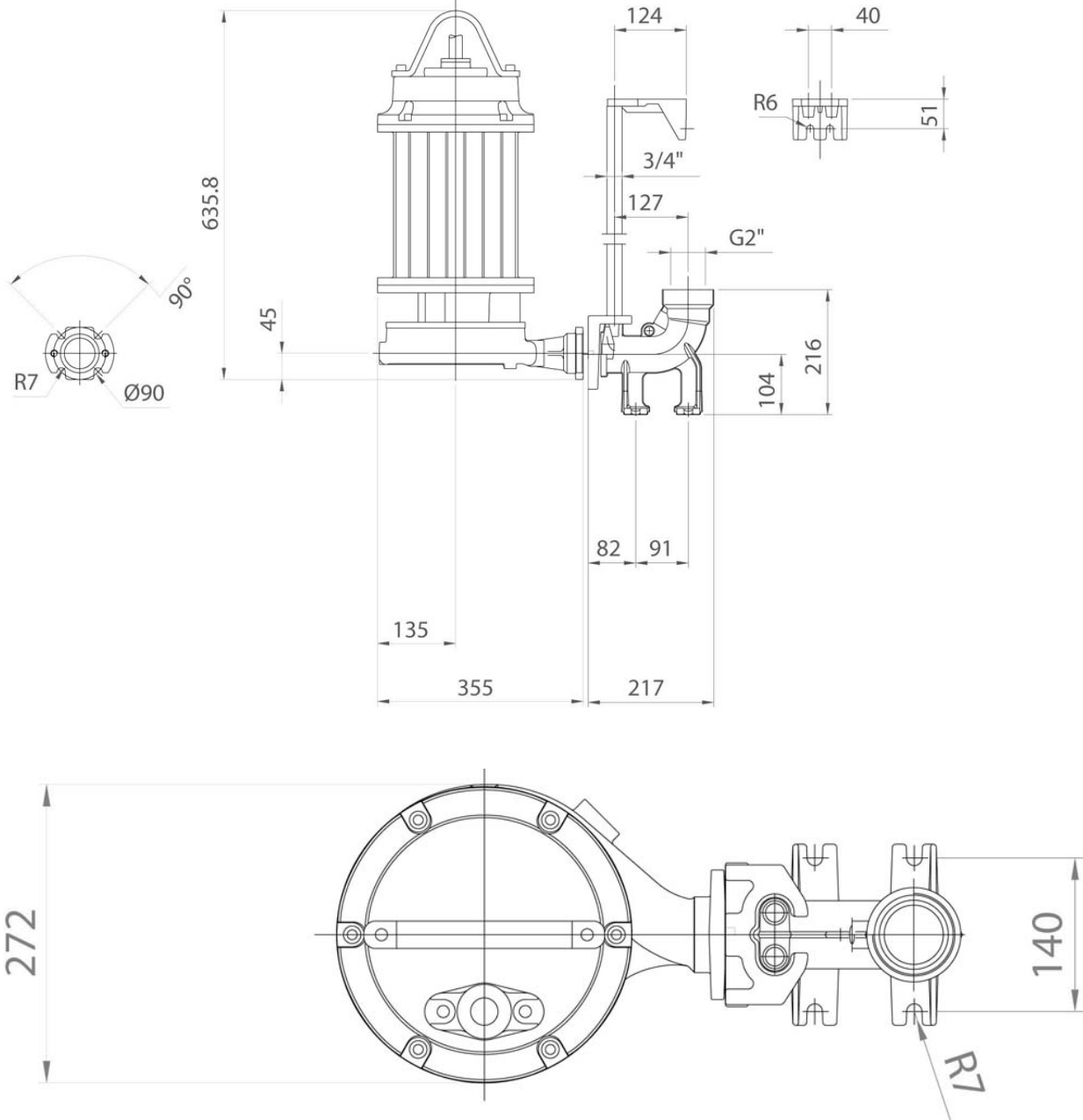


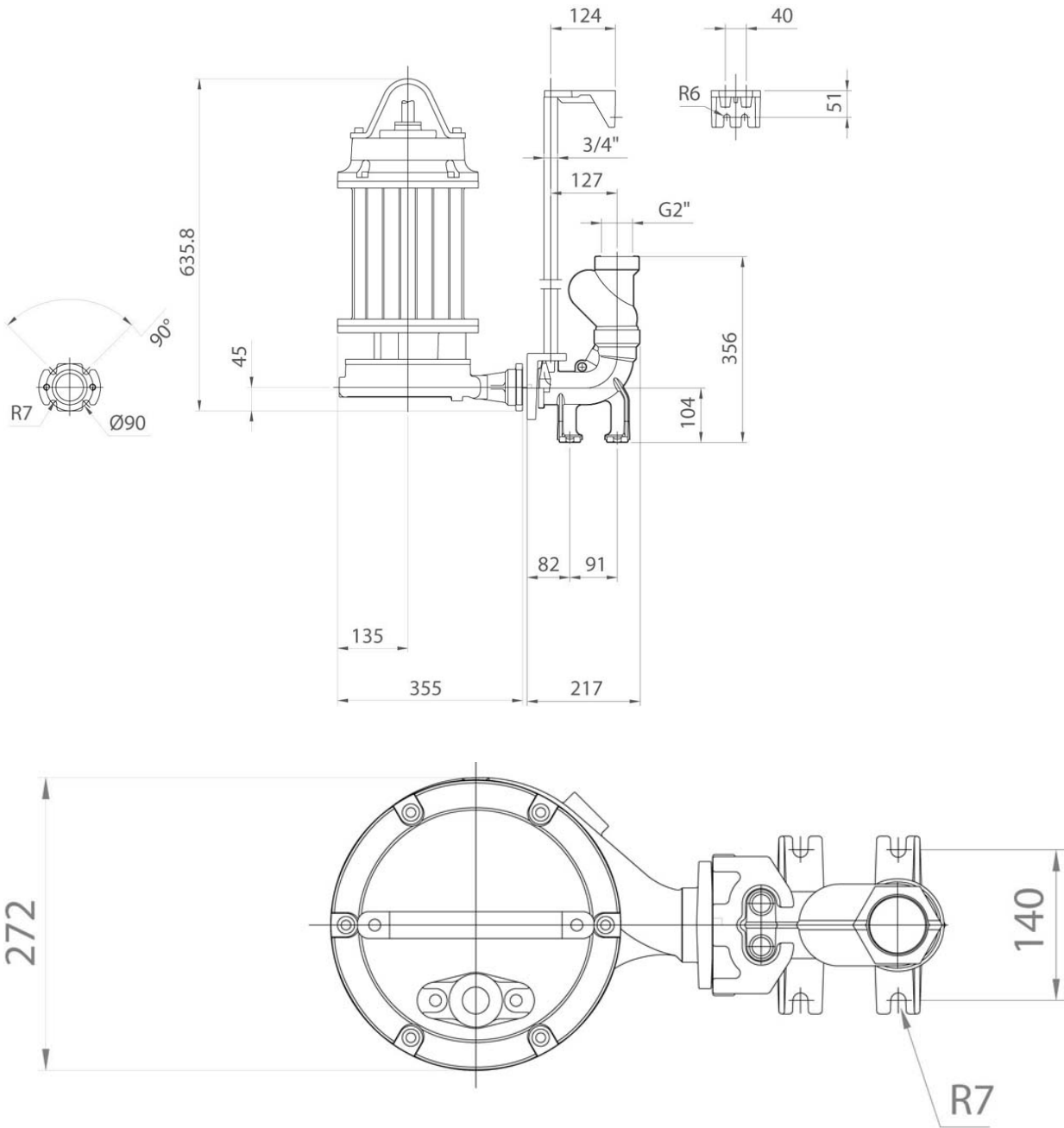
Bottom coupling devices with horizontal outlet

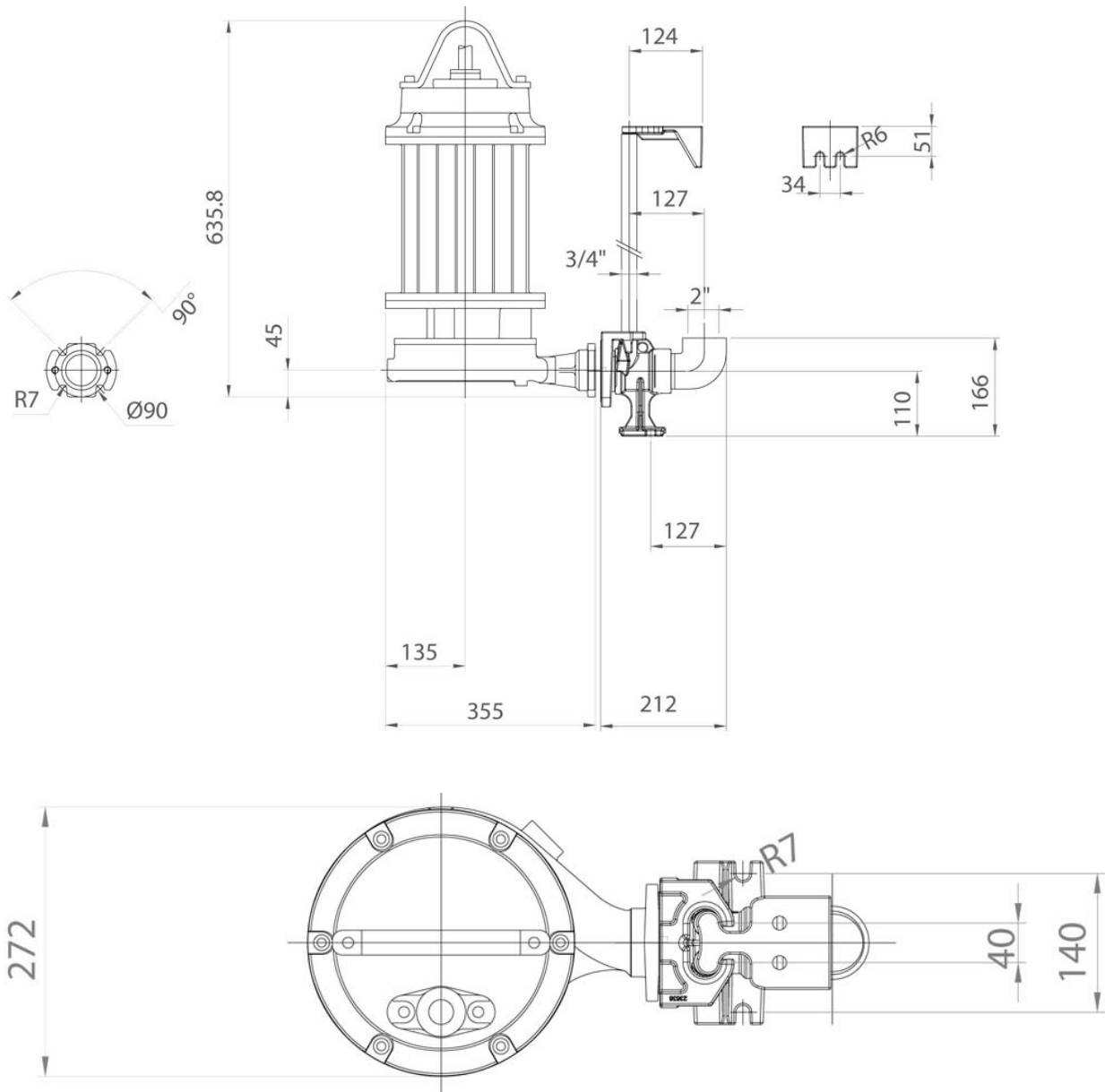


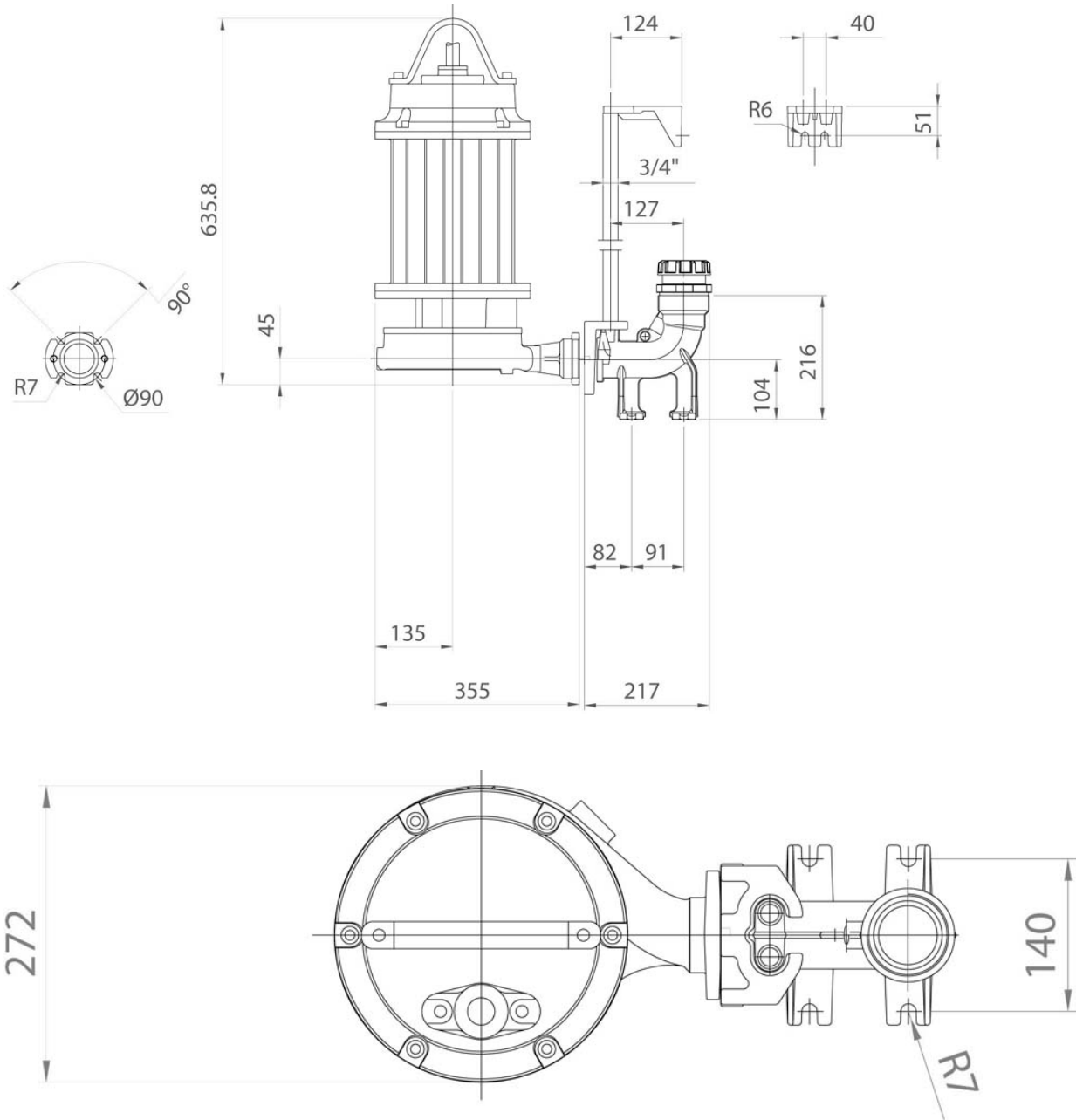


Bottom coupling devices with vertical outlet









Base plate

